

The CA-160 is a 1-DIN size unit 60 W car amplifier designed for use with a 12 V battery car.



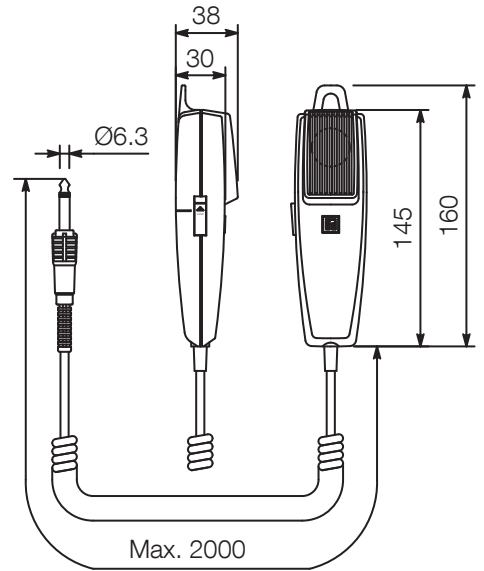
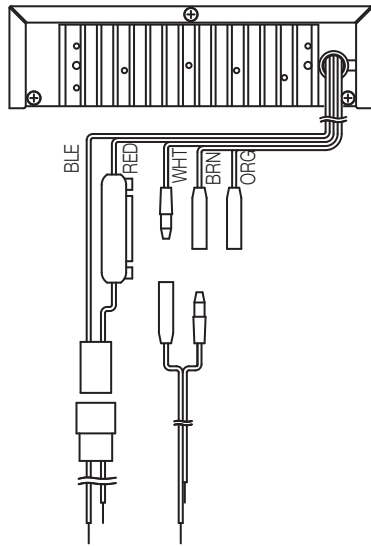
Order no: CA-160 EU

Specifications

Power source	14 V DC (10 - 16 V DC)
Rated output	60 W
Frequency response	100 Hz - 10 kHz (± 3 dB)
Distortion	< 5 % (at 1 kHz)
Inputs	MIC 1,2: 600 Ω , 4 mV, phone jack AUX: 10 k Ω , 500 mV, phone jack terminal
Outputs	4 Ω / 8 Ω
Weight	1,2 kg
Dimensions (W x H x D)	178 x 50 x 170 mm
Dimensions (ϕ x D)	x 170 mm
Gross weight	2 kg
Finish	ABS resin, Steel plate, black

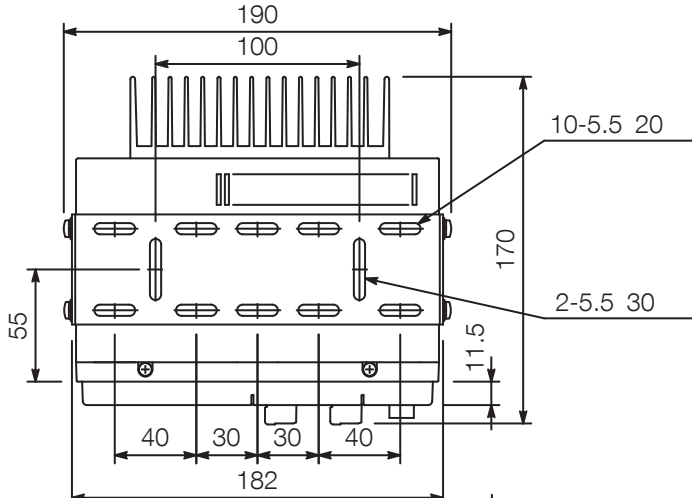
Appearance

Rear View

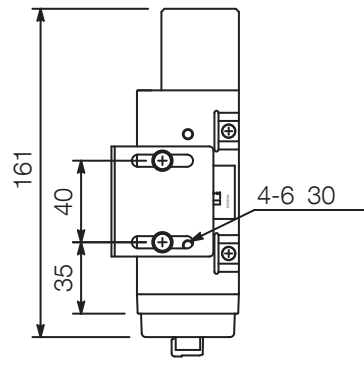
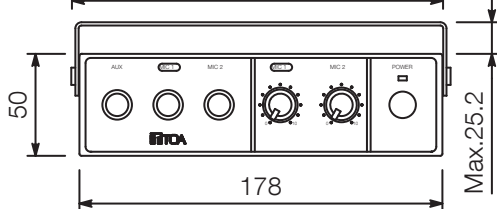


Accessory microphone (1/5)

Top View



Front View



Side View

UNIT:mm

SCALE:1/4