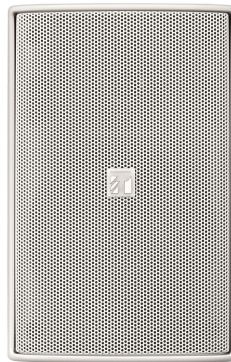


F-1000WTWP EB-Q

2-way speaker with high quality 10 cm woofer and balanced dome tweeter
 Octagonal horn for clear, wide-area sound coverage
 Great variety of brackets available
 Easy impedance selection by rotary switch
 Built-in speaker protection for low impedance models
 Certified according to EN 54-24



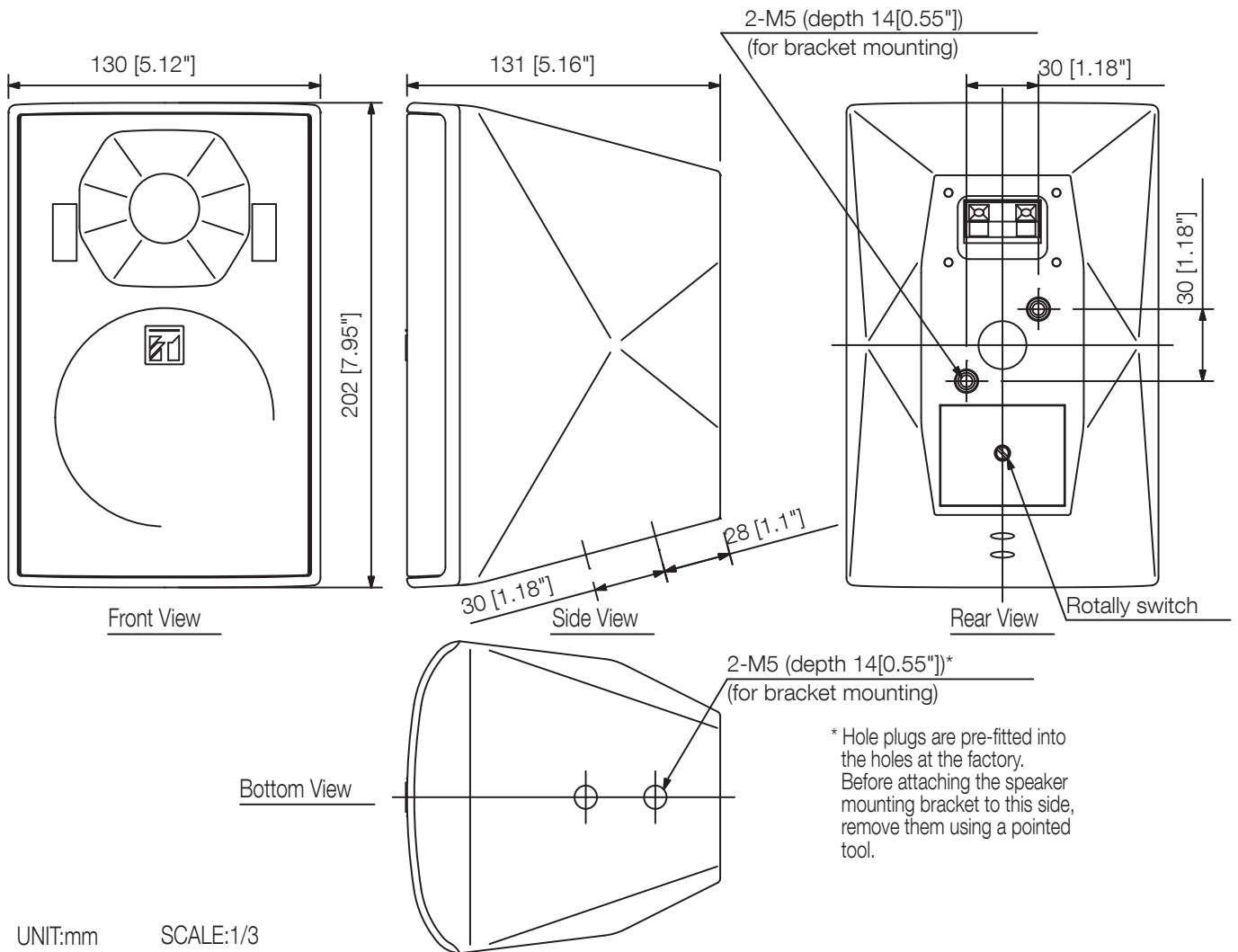
Order no: F-1000WTWP EB-Q
 Alternative products: VX-3008F, VX-3004F,
 VX-3016F, SX-2000SM, VX-2000,
 VM-3360VA, VM-3240VA, VM-3240E,
 VM-3360E, VP-3504, VP-3154, VP-3304,
 VP-2421, VP-2421incl, VP-2241, VP-2241incl,
 VP-2122incl, VP-2122, VP-2064, VP-2064incl

Specifications

Frequency response	85 Hz - 20 kHz
Connection	Push-in terminals
Sensitivity (1#V, 1#m) (combined)	87 dB
Speaker component	Woofer: 10 cm cone-type Tweeter: balanced dome-type
Directivity angle horizontal	90 °
Directivity angle vertical	90 °
Rated input	15 W
Tappings	15 / 5 / 3 / 1 W (100 V), 15 / 7.5 / 2.5 / 1.5 / 0.5 W (70 V)
Rated impedance	70 V, 100 V
Crossover frequency	5000 Hz
Weight	2,0 kg
Certificates	IPX4, EN 54-24
Dimensions (W x H x D)	130 x 202 x 131 mm
Dimensions (ø x D)	x 131 mm
Finish	HIPS resin, Steel plate, off-white (RAL 9010 or equivalent)
Operating temperature	-10°C to + 50°C

F-1000WTWP EB-Q

Appearance



* Hole plugs are pre-fitted into the holes at the factory. Before attaching the speaker mounting bracket to this side, remove them using a pointed tool.