

F-1300WTWP EB-Q

SPEAKER

3 different versions available: Low impedance, high impedance and weatherproof version
2-way speaker with high quality 10 cm woofer and balanced dome tweeter
Octagonal horn for clear, wide-area sound coverage
Great variety of brackets available
Easy impedance selection by rotary switch
Built-in speaker protection for low impedance models
Certified according to EN 54-24



Order no: F-1300WTWP EB-Q
Alternative products: VX-3008F, VX-3004F,
VX-3016F, SX-2000SM, VX-2000,
VM-3360VA, VM-3240VA, VM-3240E,
VM-3360E, VP-3504, VP-3154, VP-3304,
VP-2421incl, VP-2421, VP-2241, VP-2241incl,
VP-2122incl, VP-2122, VP-2064, VP-2064incl



F-1300WTWP EB-Q

SPEAKER

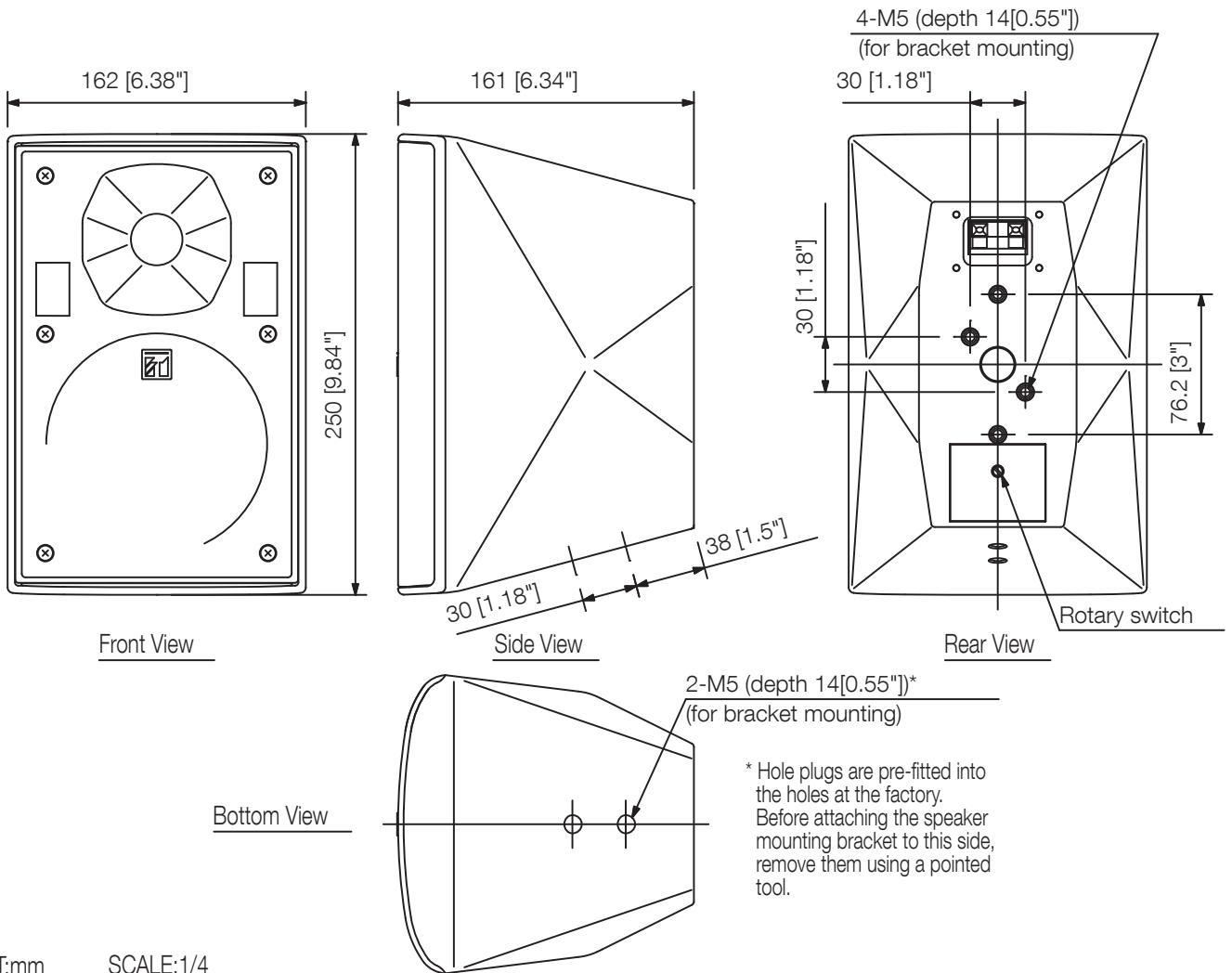
Specifications

| | |
|--------------------------------------|---|
| Frequency response | 80 Hz - 20 kHz |
| Connection | Screw terminals |
| Sensitivity (1#V, 1#m) (combined) | 90 dB |
| Speaker component | Woofer: 13 cm (5") cone-type Tweeter: 25 mm (1") dome tweeter |
| Directivity angle horizontal | 110 ° |
| Directivity angle vertical | 100 ° |
| Rated input | 30 W |
| Tappings | 100 V (30 / 10 / 3 / 1 W), 70 V (30 / 15 / 5 / 1.5 / 0.5 W) |
| Rated impedance | 100 V, 70 V |
| Crossover frequency | 2000 Hz |
| Weight | 3,6 kg |
| Certificates | EN 54-24, IPX4 |
| Dimensions (W x H x D) | 162 x 250 x 161 mm |
| Dimensions (ø x D) | x 161 mm |
| Gross weight | 4,4 kg |
| Finish | HIPS resin, Steel plate, off-white (RAL 9010 or equivalent) |
| Operating temperature | -10°C to + 50°C |

F-1300WTWP EB-Q

SPEAKER

Appearance



UNIT:mm SCALE:1/4