

The SC-615 is a compact, highly intelligible speaker suited to public address announcement applications. Its external speaker component finished with powder coating, and stainless steel bracket and screws ensure the unit's weatherproof capability.

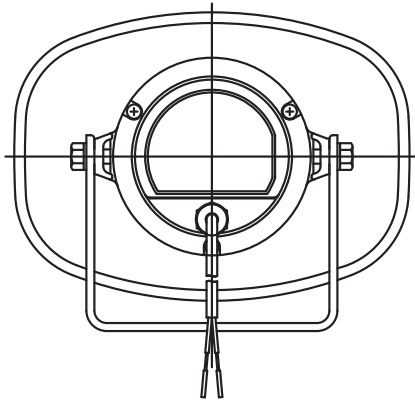


Order no: SC-615 EU

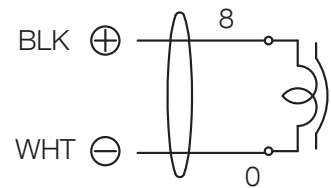
Specifications

Frequency response	280 Hz - 12.5 kHz
Connection	Cable with 2 wires
Sensitivity (1#V, 1#m) (combined)	112 dB
Rated input	15 W
Dimensions (W x H x D)	222 x 179 x 234 mm
Dimensions (ø x D)	x 234 mm
Finish	Aluminium, powder coating, off-white (RAL 9010 or equivalent)
Operating temperature	-20 °C to +55 °C (must be free from dew condensation)

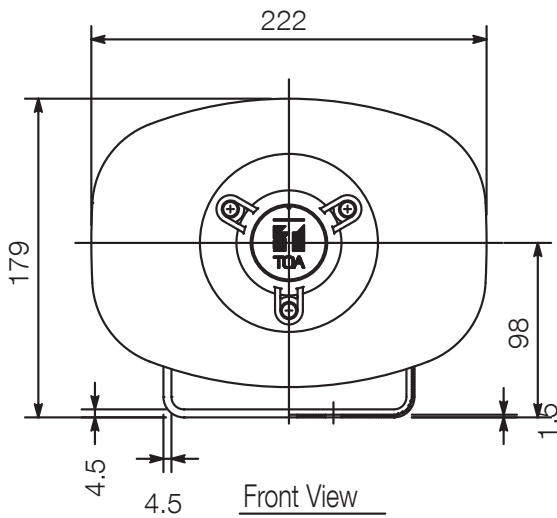
Appearance



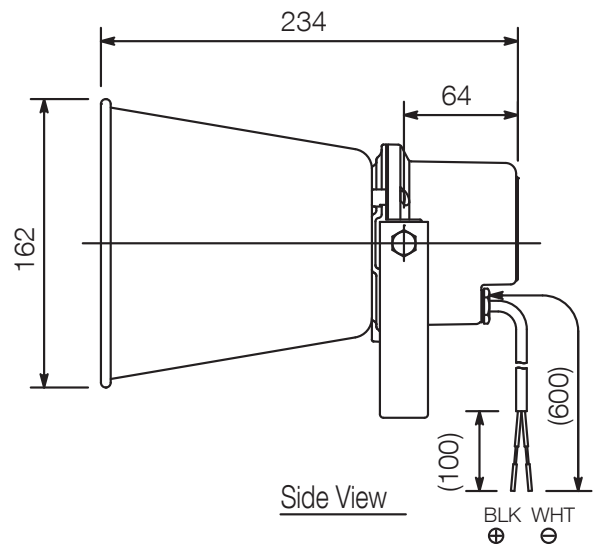
Rear View



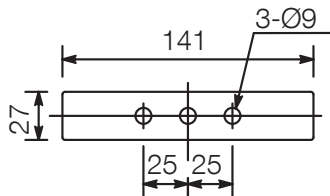
Wiring diagram



Front View



Side View



Bracket dimensional diagram

UNIT:mm

SCALE:1/5

Note: Numerical values in parentheses are for reference only.